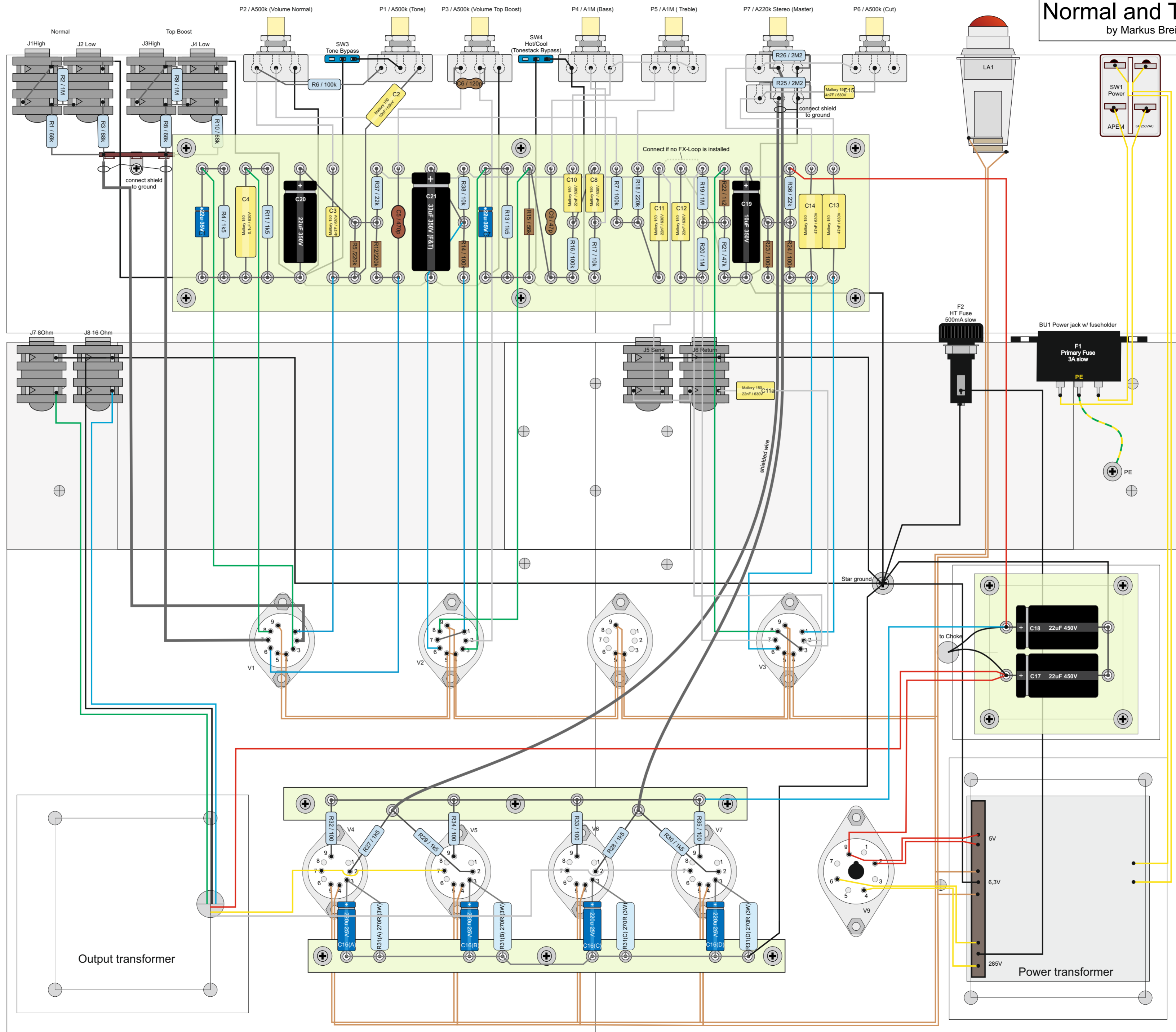


Layout AC30 Normal and Top Boost Channel

by Markus Breier, last edited: 17.01.2014



Upright Part
Hammond 1441-20

Lower Part
Hammond 1441-30